



TAMBOUR



A - Patented one-form technology and ANSI-BIFMA X5.3-2007 certified

B - Adjustable floor levelers

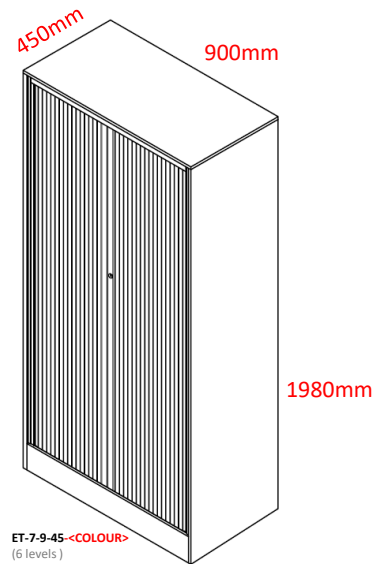
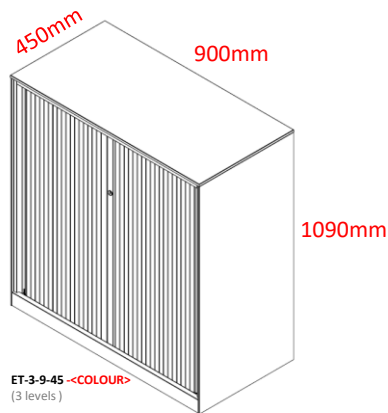
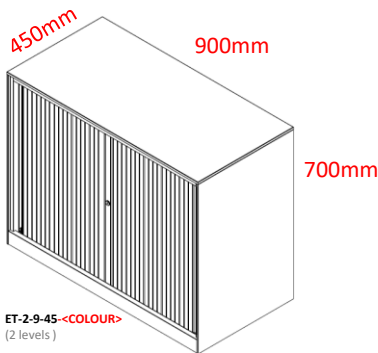
C - Interchangeable key lock and barrel system

D - Adjustable slotted shelves with 60kg Capacity

E - Fennel tambour door system with Aluminum slammer rails and magnetic strip

F - Environmentally friendly with 30% recycled raw material

G – Subtle premium powder coat finish



Options:

- Specified Powder coat to full unit
- Melamine bench top
- Extra Shelves (ET-SHELVES <colour>.900W)
- Metal dividers to slot into shelves (SD-WHITE/PSP)
- Pull out A4 file racks:
 - ET-2 – 1 pull out rack (POF-9-BLK)
 - ET-3 – 2 pull out racks (POF-9-BLK)
 - ET-7 – 4 pull out racks (POF-SPE-9)

Premium powder coat finish available stockexpress.*



- < W >
(Pearl white)



- < PSP >
(Precious silver pearl)

