

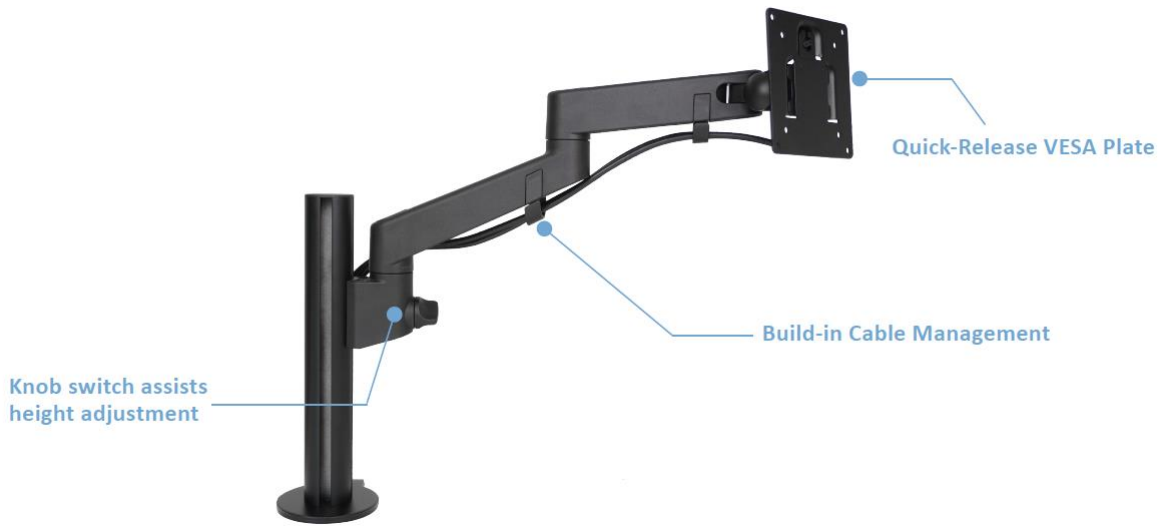
diami.

## PA - Arm

Design:2021

**Application**  
Single monitor  
Dual monitor  
Laptop holder





## FEATURES

- Mechanical adjustment using intuitive finger operated knob.
- Quick release mounting head to assist with installation and monitor replacement.
- With independent control of each screen's height.
- Tilt, pan and landscape to portrait rotation.
- Wire management minimizes cable clutter.
- Mount up to 4 screens per post.
- Includes surface clamp and grommet mount.
- Additional arms fit to post without requirement for any additional components.
- Pole height can be customized.
- Available in Black, White.



### Single arm

- PA-S-B (Black)
- PA-S-W (White - Limited Stock)



### Dual arm

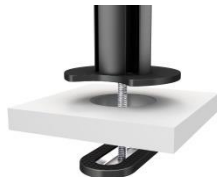
- PA-D-B (Black)
- PA-D-W (White - Limited Stock)



### Laptop holder (11-16" wide)

- PA-LTH-B (Black)
- PA-LTH-W (White - Limited Stock)

PA – Arm Assembly without the need to reach under the desk top



The PA – Arm clamp and arm come pre-assembled to save time (up to ¼ less time to assemble than other leading arm models)

### Specs:

Weight capacity: 0~9 KGS  
 Screen Size: 14~32"  
 VESA: 100\*100 MM; 75\*75 MM  
 +75°/-45° monitor tilt  
 360° VESA rotation  
 Height Range: 262MM  
 Desktop thickness: 1~3.5 CM  
 Desk clamp, clamp may also be fitted into the cable guide hole.