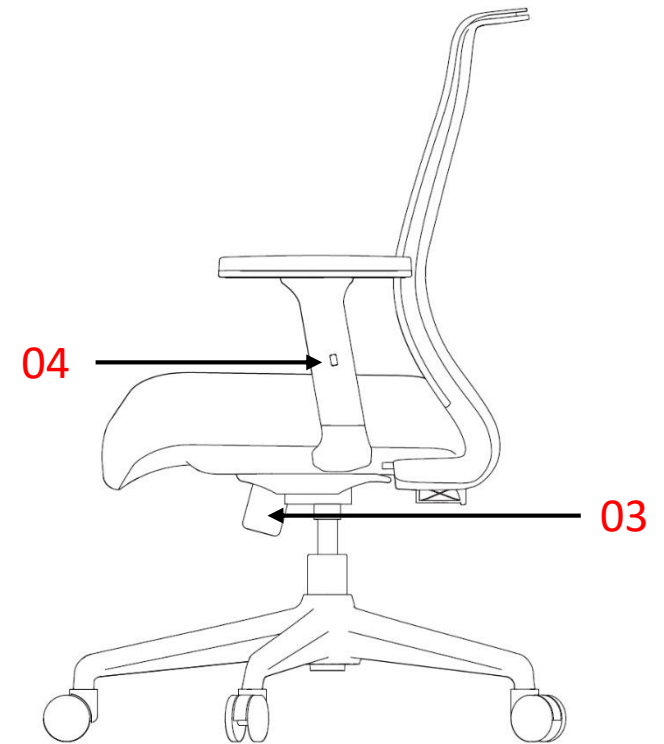
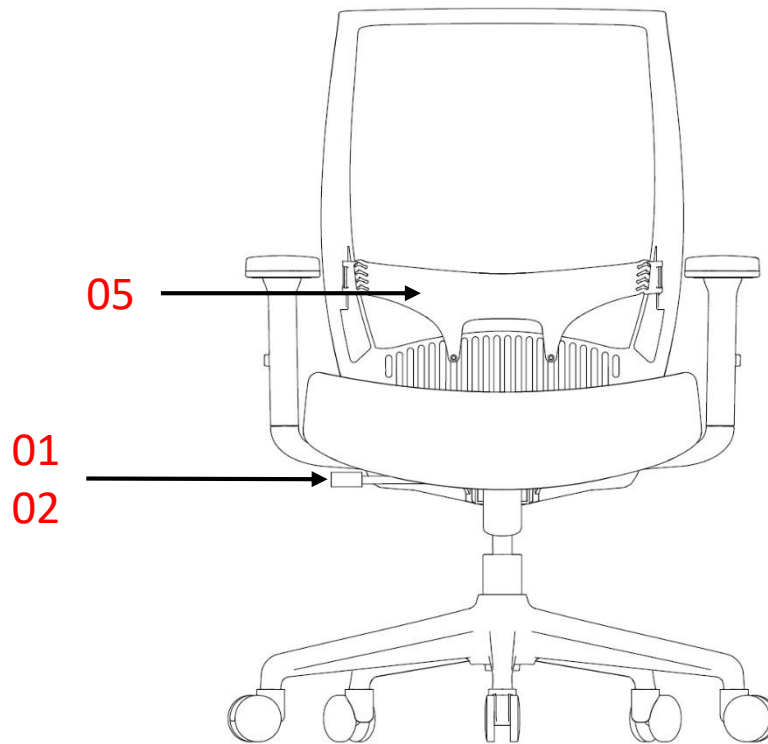


FLUID User Guide

diami.

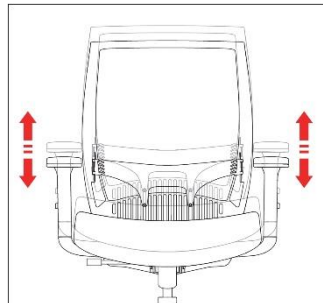
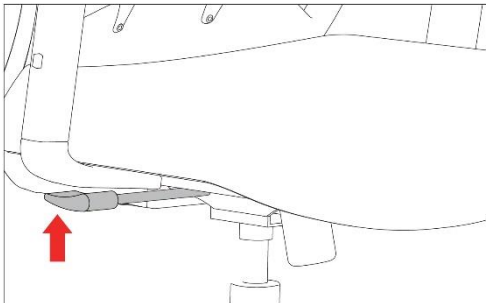
- 01 Height adjustment
- 02 Tilting angle adjustment
- 03 Tilting tension adjustment
- 04 Armrest adjustment
- 05 Lumbar adjustment



01

Adjusting the height of seat

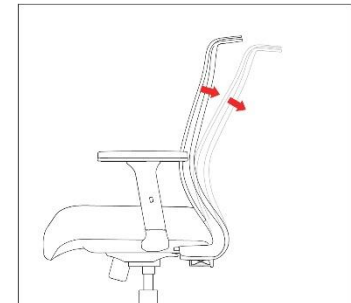
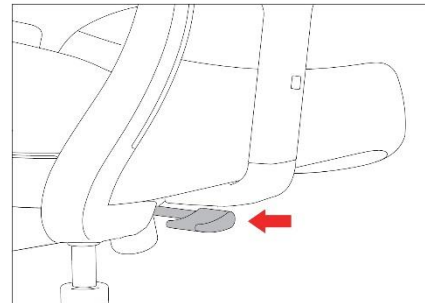
When elevating the height of seat, lift up the lever then release it at the height desired. When lowering the height of seat, sit on the center of the chair then lift up the lever, release it at the desired height.



02

Adjusting the backrest tilting

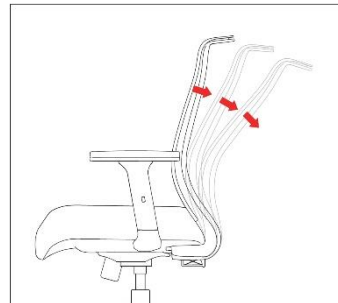
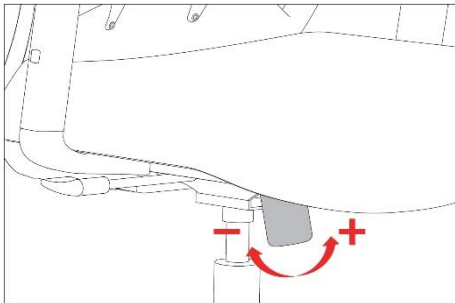
Push in the lever to lock the desired tilt angle. Pull out the lever back to its original position to recline all the way back.



03

Adjusting the strength of tilting

While sitting rotate the handle clockwise then the strength of tilting will be weaker and if rotate the handle counterclockwise, the strength will be stronger.

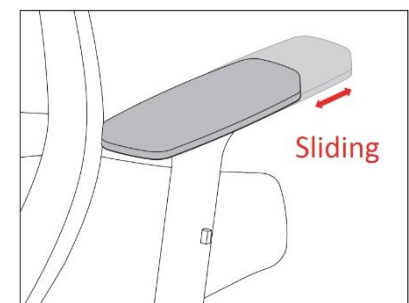
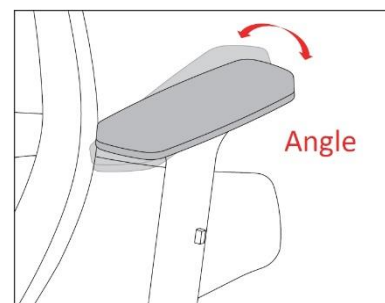
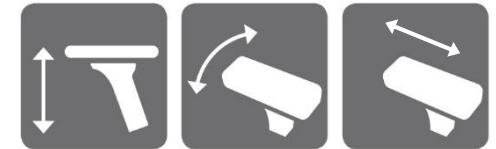
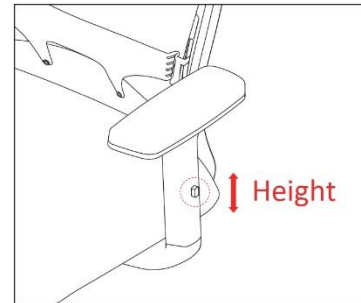


04

Adjusting the armrest

| Armrest height | Push the button located on the side of left/right arm and adjust the height of armrest.

| Armrest angle & sliding | To adjust angle / sliding of armpad, grab the armpad and move it to the direction you want it to be.



05

Adjusting the lumbar support

You can adjust the lumbar both up and down to fit your body.

